

# Product datasheet

Specifications



single phase power supply,  
100...240V input, 24V DC output,  
36W, 1,5A

ABL2REM24015K

## Main

Range of product	Easy Modicon ABL2
Product or component type	Power supply
Power supply type	Regulated switch mode
Rated power in W	36 W
Input voltage	100...240 V AC single phase
Output voltage	24 V DC
Power supply output current	1.5 A
Operating position	Any position
Vibration resistance	4 gn (f= 10...500 Hz) conforming to EN/IEC 61131-2
Name of test	Electromagnetic hypersensitivity (EHS) conforming to EN 61000-6-2 level A

## Complementary

Input voltage limits	85...264 V
Network frequency	47...63 Hz
Inrush current	45 A at 100...240 V AC
Cos phi	0.45
Efficiency	87 %
Power dissipation in W	5.4 W
Current consumption	0.4 A at 240 V
Input protection type	Integrated fuse (not interchangeable)
Output voltage limits	20.4...27.6 V
Line and load regulation	+/- 1 %
Holding time	>= 12 ms at 115 V
Output protection type	Against overload, protection technology: 1.1...1.5 x In Against short-circuits, protection technology: 1.1...1.5 x In Against overvoltage, protection technology: 28.8...33.6 V
Connections - terminals	For ground connection: screw type terminals, connection capacity: 1 x 4 mm <sup>2</sup> AWG 12
Marking	CE
Electromagnetic compatibility	Immunity to electromagnetic interference conforming to EN 55022 class B
Mounting support	DIN rail with accessory Panel mounting with accessory

Operating altitude	5000 m
Output coupling	Series
Overvoltage category	II
Meantime between failure [MTBF]	600000 h at 25 °C
Status LED	1 LED (green)output voltage
Width	99 mm
Height	82 mm
Depth	30 mm
Net weight	0.23 kg

## Environment

Product certifications	EAC IC RoHS KC RCM
IP degree of protection	IP20 conforming to IEC 62368-1
Ambient air temperature for operation	-30...70 °C (with power derating of 2.5 % per °C)
Ambient air temperature for storage	-40...85 °C
Relative humidity	10...95 %
Overvoltage category	Class I conforming to IEC 62368-1
Pollution degree	2
Dielectric strength	2000 V between input and ground

## Packing Units

Unit Type of Package 1	PCE
Number of Units in Package 1	1
Package 1 Weight	231.0 g
Package 1 Height	3.744 cm
Package 1 width	8.79 cm
Package 1 Length	10.549 cm
Unit Type of Package 2	S03
Number of Units in Package 2	63
Package 2 Weight	15.19 kg
Package 2 Height	30 cm
Package 2 width	30 cm
Package 2 Length	40 cm

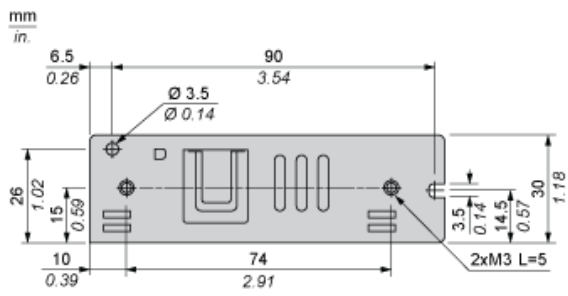
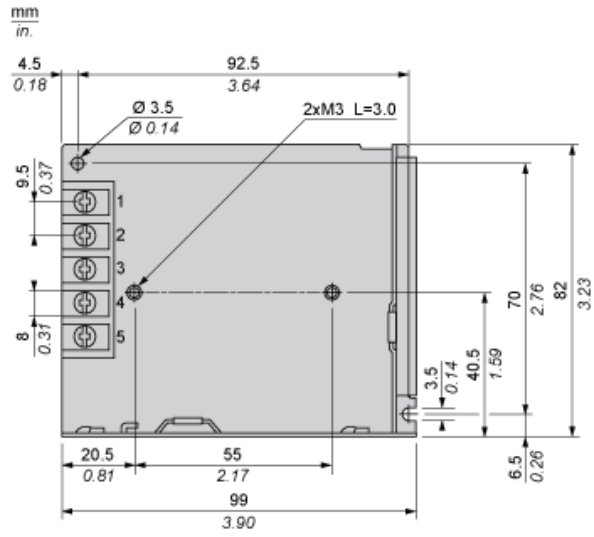
## Offer Sustainability

REACH Regulation	<a href="#">REACH Declaration</a>
REACH free of SVHC	Yes
EU RoHS Directive	Pro-active compliance (Product out of EU RoHS legal scope) <a href="#">EU RoHS Declaration</a>
Mercury free	Yes
RoHS exemption information	<a href="#">Yes</a>



Dimensions Drawings

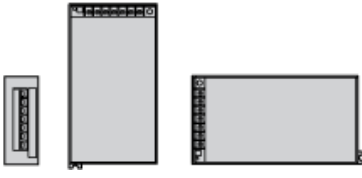
Mechanical Dimensions



**Mounting and Clearance**

---

**Vertical Mounting**

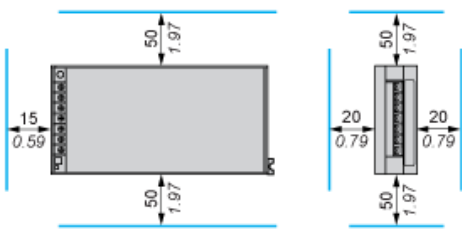


**Horizontal Mounting**



**Clearance**

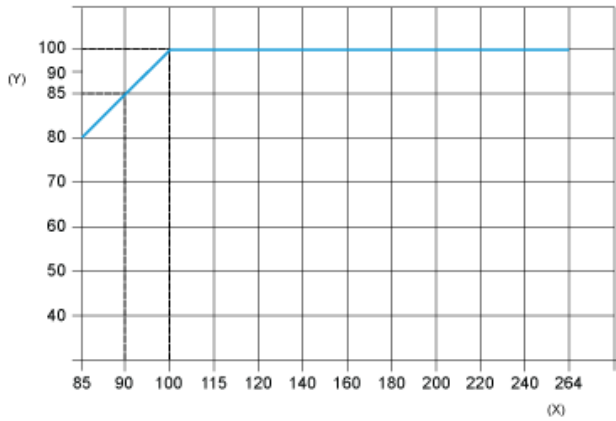
mm  
in.



Performance Curves

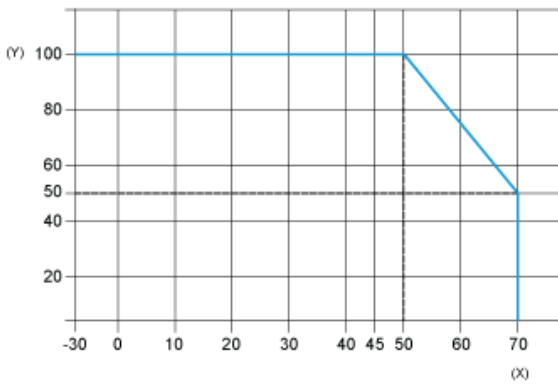
---

Static Characteristics



(y) Load %  
(x) Input voltage (VAC) 50/60 Hz

Derating Curve



(y) Load %  
(x) Ambient temperature (°C)